



FORCE DIAL™

FDK/FDN

COMPACT SIMPLICITY
HAND-HELD UTILITY

\$265

- TENSION & COMPRESSION
- CAPACITIES TO: 60 lbf/30 kgf/300 N
- DUAL GRADUATIONS
- PEAK FORCE HOLD
- ACCURATE TO ±1%



CONSTRUCTION

- Large 2.25" [60mm] dial.
- Dual graduations: lbf/kgf or kgf/N.
- Plastic housing, stainless steel plunger, steel spring and brass mechanism.
- Full scale plunger deflection: 0.4" [10mm].
- Push button peak hold.
- Sheet metal screws for handle or fixture mounting.

OPERATION

- Tension and compression from opposite ends.
- Peak readings retained - released by pushing button.
- Tension hook attached thru hole in housing.
- Pound/gram or Newton/gram on outer/inner dial.
- Verify accuracy by suspending test weights on hook.

ACCESSORIES

- Flat compression head, tension hook, extension rod, case, and manual.

OPTIONAL ACCESSORIES

- Stainless steel handle, 7/16" [11mm] rubber tip, pressure pad and NIST Calibration Certificate.

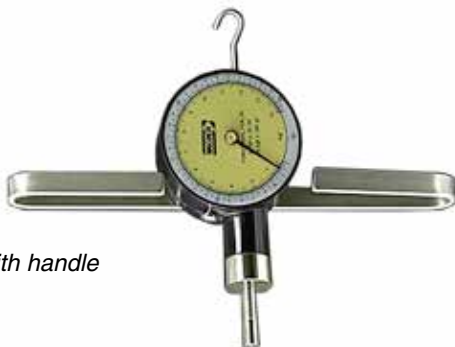
ACCURACY

- ± 1% (1 graduation) over 2500 gf.
- ± 2% (2 graduations) thru 2500 gf.

The unique **FDK/FDN** is a low cost dial push-pull force gage designed for routine **hand-held force testing**. It offers the basic features - **peak force hold, dual lbf/kgf/N graduations and mounting holes** - for tension and compression to 60 lbf/30 kgf /300 N.

The **FDK /FDN** features **sixteen capacities** with **dual graduations** in pound/gram, ounce/gram or Newton/gram models. Optional **stainless steel handle** provides stability and comfort for higher pull force testing and **NIST Calibration Certification** is available.

For over 30 years, the Force Dial has served virtually all sectors of industrial force measurement, as well as, fruit ripeness, therapeutic pain and ergonomic testing. The simplicity, low cost and compact portability of the FDK/FDN make it possible.



FDK with handle



Prices and specifications are subject to change without notice.

www.wagnerinstruments.com

CALL US TOLL FREE 800-345-4188



ALL MODELS \$265

FORCE DIAL™

\$265

FDK/FDN

DECIMAL POUND / GRAM MODELS

Model	Capacity/Graduation			
FDK 2	2 lbf x 0.02 lbf	1000 gf x	10 gf	
FDK 5	5 lbf x 0.05 lbf	2500 gf x	25 gf	
FDK 10	10 lbf x 0.10 lbf	5 kgf x	50 gf	
FDK 20	20 lbf x 0.25 lbf	10 kgf x	100 gf	
FDK 30	30 lbf x 0.25 lbf	14 kgf x	100 gf	
FDK 40	40 lbf x 0.50 lbf	20 kgf x	200 gf	
FDK 60	60 lbf x 0.50 lbf	30 kgf x	250 gf	

OUNCE / GRAM MODELS

Model	Capacity/Graduation			
FDK 32	32 ozf x 1/4 ozf	1000 gf x	10 gf	
FDK 80	5 lbf x 1 ozf	2500 gf x	25 gf	
FDK 160	10 lbf x 2 ozf	5 kgf x	50 gf	

NEWTON / GRAM MODELS

Model	Capacity/Graduation			
FDN 10	10 N x 0.1 N	1000 gf x	10 gf	
FDN 20	20 N x 0.25 N	2500 gf x	25 gf	
FDN 50	50 N x 0.5 N	5 kgf x	50 gf	
FDN 100	100 N x 1 N	10 kgf x	100 gf	
FDN 200	200 N x 2 N	20 kgf x	200 gf	
FDN 300	300 N x 2.5 N	30 kgf x	250 gf	

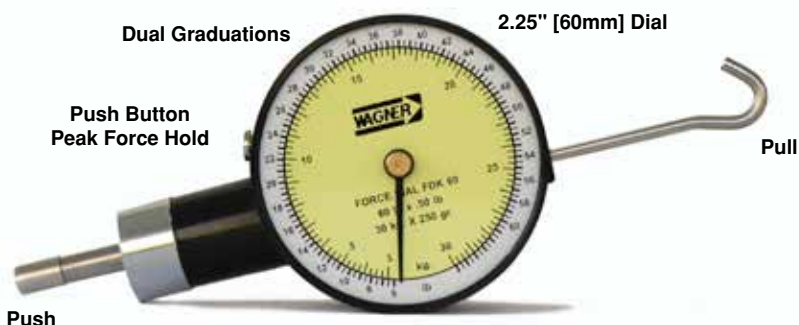
ACCESSORIES

Model	Description	Price
FDK/NIST	NIST Calibration Certificate	\$75*
FDK/RT	1 cm ² Rubber Tip - Replacement	25
FDK/HDL	Stainless Steel Handle	45
FDK/CP58	Compression Plate - 5/8" [16 mm]	15
FDK/M4-1032	Converts Gage to #10-32M	15

*NIST traceable accuracy verification - data not included.

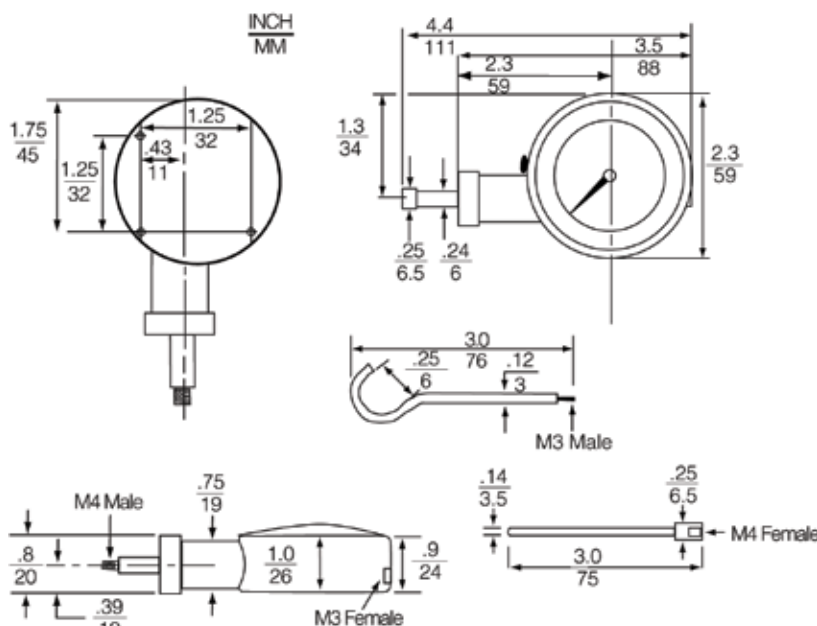
NOTES

- (1) Accuracy: ± 2 Graduations (thru 2500 gf)
± 1 Graduation (over 2500 gf)
- (2) No zero - All graduations begin at 10% of full capacity. The FDK/FDN Series is not intended for use below 10% of capacity.
- (3) All FDK and FDN include: Compression flat, tension hook, extension rod, case, and manual.



www.wagnerinstruments.com

DIMENSIONS



NOTE: SPECIFICATIONS, DIMENSIONS AND APPEARANCE SUBJECT TO CHANGE.



FDK with Handles



FPK Algometer

Prices and specifications are subject to change without notice.

www.wagnerinstruments.com

CALL US TOLL FREE 800-345-4188



MECHANICAL FORCE GAGE