

# FORCE DIAL™

**FDL**

- CAPACITIES TO 100 lbf / 50 kgf
- TENSION & COMPRESSION
- DUAL GRADUATIONS: lbf / kgf
- PEAK FORCE HOLD
- ADJUSTABLE ZERO
- AMERICAN STANDARD THREADS
- ACCURACY: ± 0.3% F.S.

Rugged Metal Case

Zero Adjust

Dual lbf / kgf  
Graduations

Firm Grip  
Design

Adapts to  
Test Stands

Two Steel  
Attachments  
Included

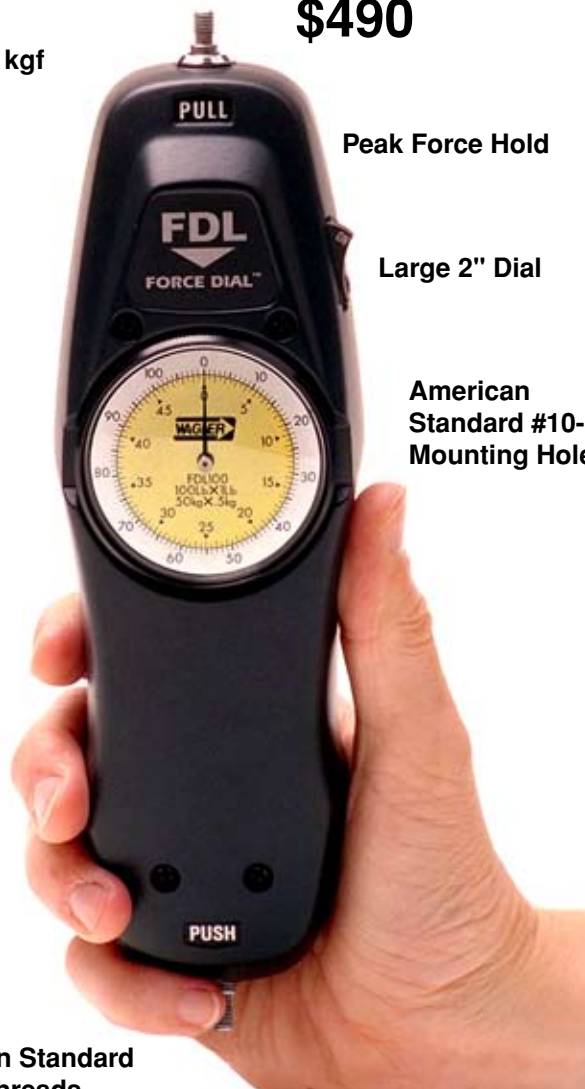
American Standard  
#10-32 Threads

**\$490**

Peak Force Hold

Large 2" Dial

American  
Standard #10-32  
Mounting Holes



| MODEL   | CAPACITY/GRADUATION |          |      |          | PRICE  |
|---------|---------------------|----------|------|----------|--------|
| FDL 10  | 10 x                | 0.1 lbf  | 5 x  | 0.05 kgf | 490.00 |
| FDL 20  | 20 x                | 0.2 lbf  | 10 x | 0.1 kgf  | 490.00 |
| FDL 40  | 40 x                | 0.25 lbf | 20 x | 0.2 kgf  | 490.00 |
| FDL 60  | 60 x                | 0.5 lbf  | 30 x | 0.25 kgf | 490.00 |
| FDL 100 | 100 x               | 1 lbf    | 50 x | 0.5 kgf  | 490.00 |

### ACCESSORIES

|        |                                 |         |
|--------|---------------------------------|---------|
| FD/HDL | Handles                         | \$95.00 |
| FD/RT  | Rubber Tip                      | 20.00   |
| FD/CP2 | Compression Plate - 2" Dia.     | 25.00   |
| FD/S-1 | Steel Hook - Large (100 lbf)    | 20.00*  |
| FD/S-2 | Flat Head                       | 20.00*  |
| FD/S-3 | Cone Point                      | 20.00   |
| FD/S-4 | Chisel Head                     | 20.00   |
| FD/S-5 | Vee Tip                         | 20.00   |
| FD/S-6 | Extension Rod                   | 20.00   |
| FD/A-7 | Hinged Hook - Small (20 lbf)    | 45.00   |
| FD/S-7 | Hinged Hook - Large (100 lbf)   | 45.00   |
| FD/A-8 | Hinged Cradle - Small (20 lbf)  | 45.00   |
| FD/S-8 | Hinged Cradle - Large (100 lbf) | 45.00   |

\* All models include one hook & flat.



Full selection of optional hardware available.

## THE ONLY 100 POUND DIAL FORCE GAGE WITH ±0.3% ACCURACY

The Wagner FDL features dual lbf/kgf graduations and a firm grip ergonomic design. The rugged FDL Dial Push-Pull Gage is available in five models from 10 thru 100 lbf and impressive ±0.3% accuracy.

The FDL Force Dial features American Standard threads on the load shaft and mounting holes and includes an NIST Certificate of Calibration.

The FDL mounts directly onto various test stands and includes two steel attachments; optional handles and a variety of gripping fixtures.

Prices and specifications are subject to change without notice.

**CALL US TOLL FREE 800-345-4188**



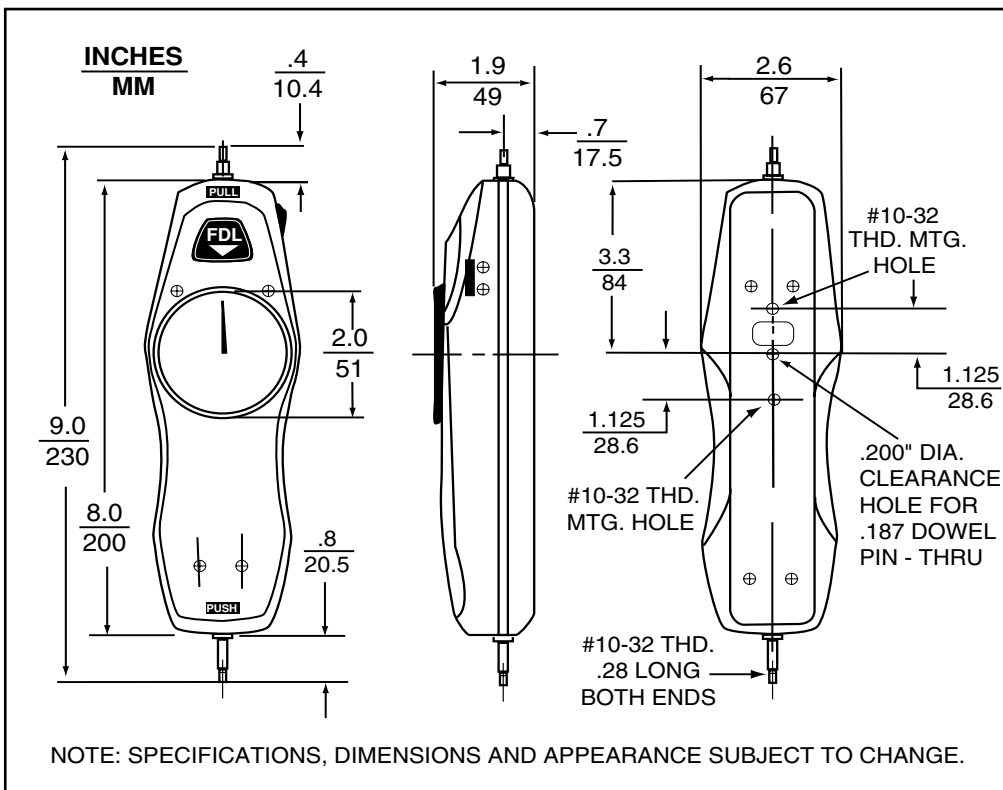


## FORCE TESTING TO 100 lbf / 50 kgf

- ERGONOMIC DESIGN:** Contoured design for a comfortable firm grip.
- DUAL GRADUATIONS:** Dual lbf and kgf graduations.
- PEAK FORCE HOLD:** Convenient ON/OFF switch actuates peak force hold.
- DIAL DISPLAY:** Large 2" diameter dial with dual lbf and kgf graduations.
- ZERO ADJUST:** Rotating dial bezel resets zero and adjusts for tare weights.
- TEST STAND USE:** Mounting holes are American Standard #10-32 threads.
- ACCESSORIES:** Hook and flat, case, manual and NIST Calibration Certificate.  
Optional: handles, hinged hooks and cradle attachments, mounting adapters and gripping fixtures.
- WARRANTY:** One year limited warranty.
- ACCURACY:** ±0.3% of Full Scale. NIST Calibration Certificate included.
- WEIGHT:** 1 1/2 lb [.7 kg]. Shipping weight: 3 lb [1.4 kg].



**FDL**  
Push-Pull force Gage



Optional handles -  
for testing over 10 pounds

Prices and specifications are subject to change without notice.

[www.wagnerinstruments.com](http://www.wagnerinstruments.com)



**CALL US TOLL FREE 800-345-4188**

MECHANICAL FORCE GAGE